

UTS SALES AND REPAIRS

A SAFER WAY TO REACH NEW HEIGHTS

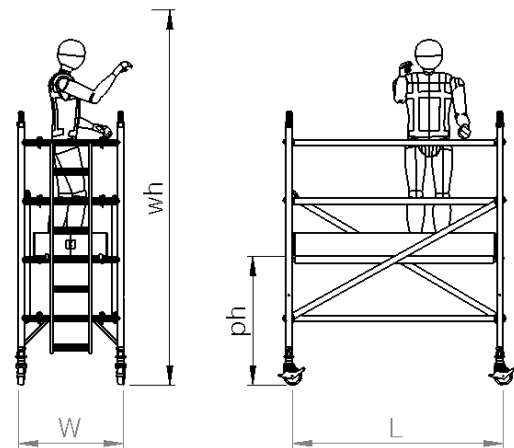
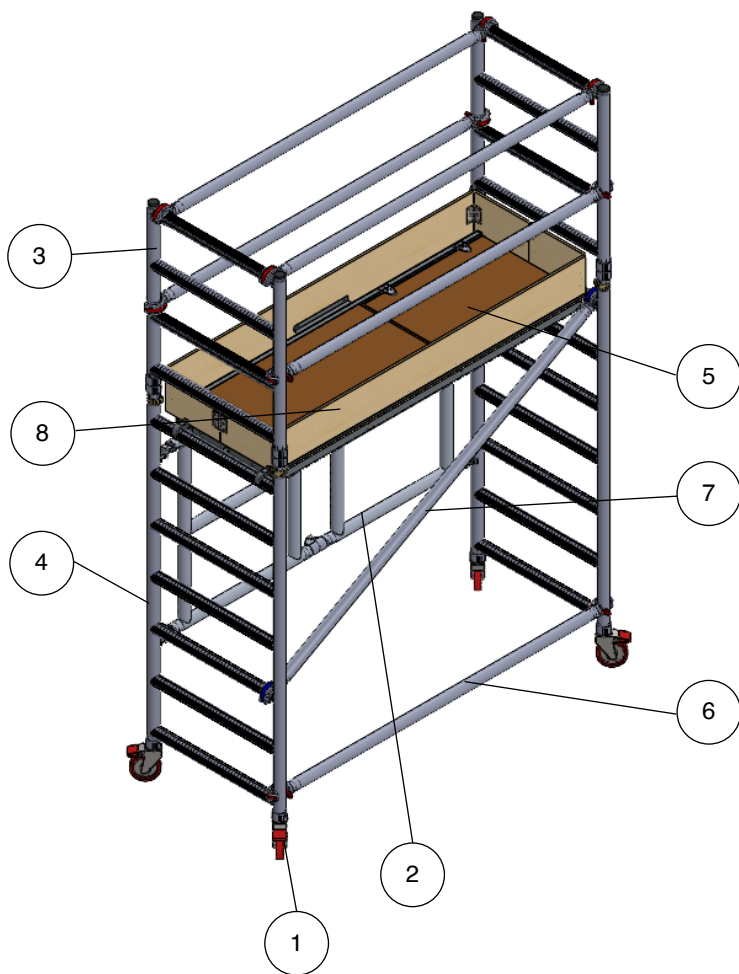
Fold Out Tower
1.8m Long x 0.7m Wide

Working Height
3.8m

Platform Height
1.8m

Tower Components

Item	Description	Quantity
1	125mm Locking Caster	4
2	Folding Frame Base Unit	1
3	1m 4 Rung Frame	2
4	1.75m 7 Rung Frame	0
5	1.8m Trapdoor Platform	1
6	1.8m Horizontal Brace	5
7	2.1m Diagonal Brace	1
8	Complete Toe Board Set	1
9	S1 Stabiliser	*0
10	Instruction Manual & EN1004:-1:2020 certificate of conformity	1



* Please Note: Stabilisers for 1.8m are not required when using internally only externally. However it is the users responsibility to complete a risk assessment and decided if stabilisers are required internally as well.

Technical information:

Base Dimensions:	(L)1.8m X (W)0.7m
Maximum Platform Height (ph):	1.8m
Maximum Working Height (wh):	3.8m
Maximum Working Load Per Platform:	275kg
Maximum Working Load Per Tower: (including tower weight)	750kg
Weight:	81.5kg

01227 860085
Mon-Fri, 8am until 5pm

For More Information:
info@towersandpodiums.co.uk
We reply within 1 hour
Mon-Fri, 8am until 5pm

